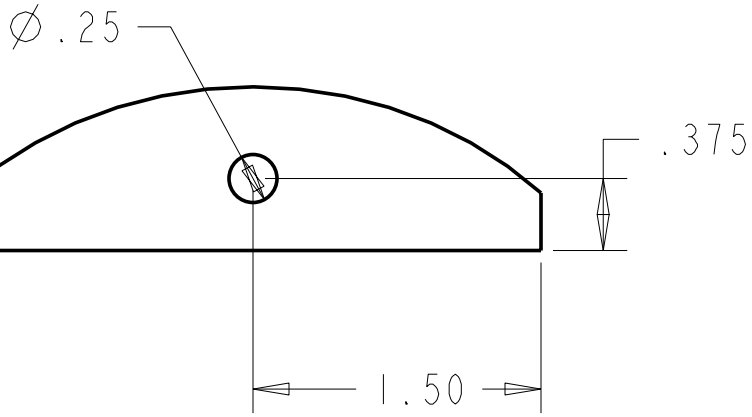
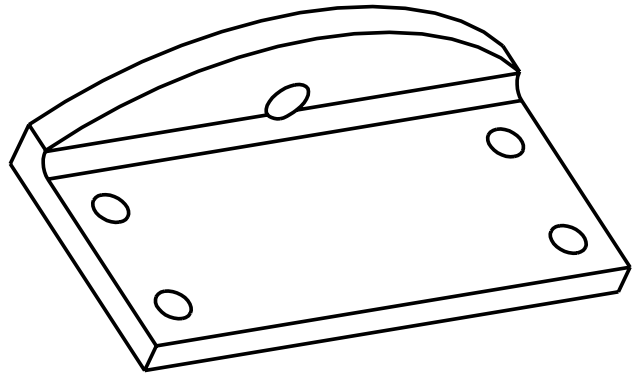


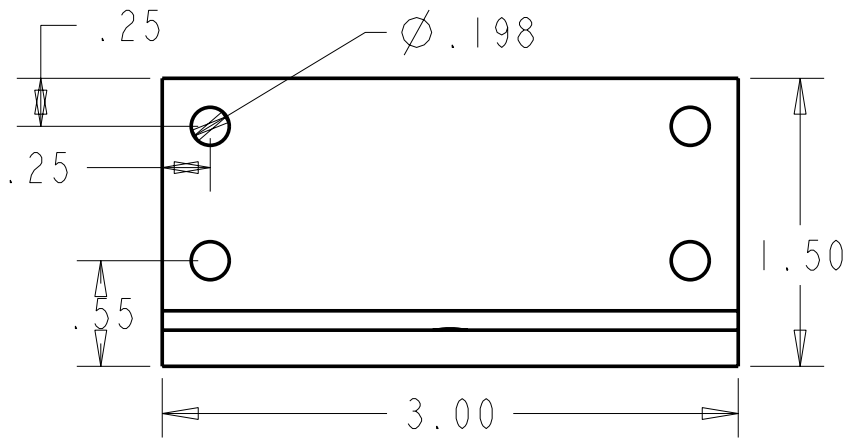
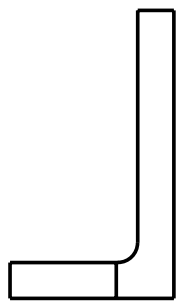
4

3



B

B



A

4

3



2

1

DESIGNER 20-Dec-07 Scott Watts	Super2	
Drawing Version 1	KRSuper2.com - all rights reserved 2007	
MATERIAL 2" X 2" X3/16 6061-T6 Alum Angle	TITLE Hinge_angle2	Pro/E Drawing File
INTERPRET PER ANSI Y14.5	HINGE_ANGLE2	
ALL DIMENSIONS IN INCHES UNLESS SPECIFIED OTHERWISE	SIZE B	SCALE 1.000 SHEET 1 OF 1